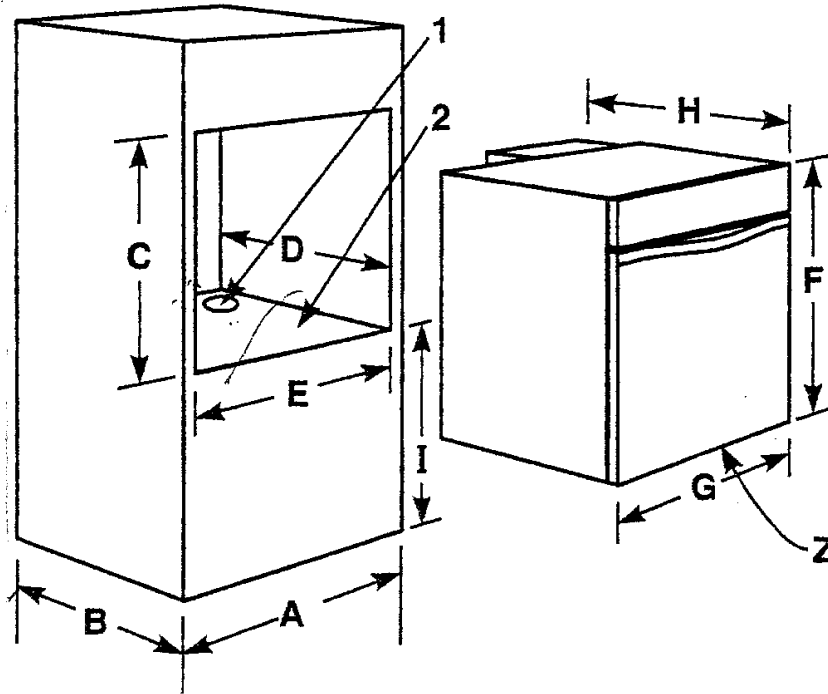


**SINGLE WALL OVEN**



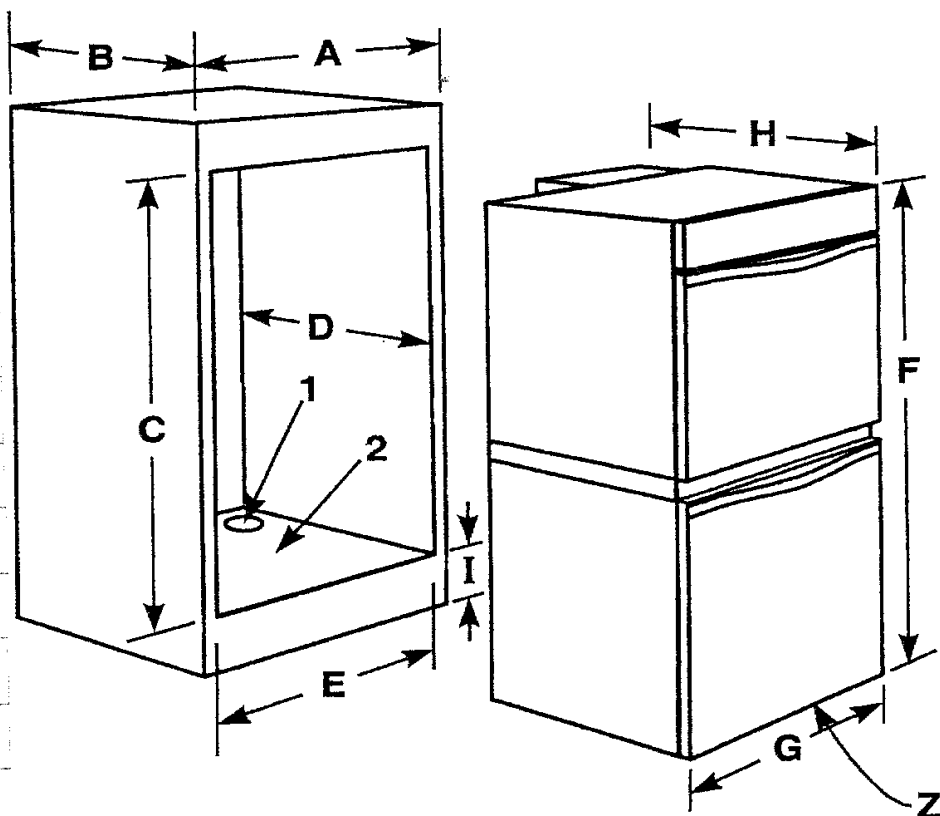
27" WALL OVEN DESCRIPTION	
1	1/4" Dia Conduit Access Hole*
2	5/8" Plywood Floor (Must Support 142 lbs)

DIMENSIONS		
	in	cm
A	27 MIN	68.58 MIN
B	24 MIN	60.96 MIN
C	27 7/16 ±1/16	69.69 ±.16
D	23 1/2 MIN	59.69 MIN
E	25 1/2 ±1/16	64.77 ±.16
F	27 3/4	70.49
G	26 3/4	67.95
	24 7/16	62.07
I	4 to 33	10.2 to 83.8

30" WALL OVEN DESCRIPTION	
1	1 1/4" Dia Conduit Access Hole*
2	5/8" Plywood Floor (Must Support 142 lbs)

DIMENSIONS		
	in	cm
A	30 MIN	76.20 MIN
B	24 MIN	60.96 MIN
C	27 7/16 ±1/16	69.69 ±.16
D	23 1/2 MIN	59.69 MIN
E	28 3/16 ±1/16	71.60 ±.16
F	27 3/4	70.49
G	29 3/4	75.57
H	24 7/16	62.07
I	4 to 33	10.2 to 83.8

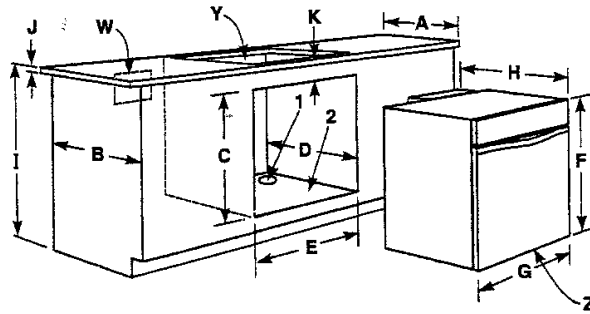
# DOUBLE WALL OVEN



27" WALL OVEN DESCRIPTION		
1	1 1/4" Dia Conduit Access Hole*	
2	5/8" Plywood Floor (Must Support 250 lbs)	
DIMENSIONS		
	in	cm
A	27 MIN	68.58 MIN
B	24 MIN	60.96 MIN
C	49 5/8 ±1/16	126.05 ±.16
D	23 1/2 MIN	59.69 MIN
E	25 1/2 ±1/16	64.77 ±.16
F	49 15/16	126.84
G	26 3/4	67.95
H	24 7/16	62.07
I	4 to 12	10.2 to 30.5

30" WALL OVEN DESCRIPTION		
1	1 1/4" Dia Conduit Access Hole*	
2	5/8" Plywood Floor (Must Support 250 lbs)	
DIMENSIONS		
	in	cm
A	30 MIN	76.20 MIN
B	24 MIN	60.96 MIN
C	49 5/8 ±1/16	126.05 ±.16
D	23 1/2 MIN	59.69 MIN
E	28 3/16 ±1/16	71.60 ±.16
F	49 15/16	126.84
G	29 3/4	75.57
H	24 7/16	62.07
I	4 to 12	10.2 to 30.5

**UNDERCOUNTER INSTALLATION**



27" WALL OVEN DESCRIPTION	
1 1/4" Dia Conduit Access Hole*	
5/8" Plywood Floor (Must Support 142 lbs)	
DIMENSIONS	
in	cm
25	63.50
24 MIN	60.96 MIN
27 7/16 ±1/16	69.69 ±.16
23 1/2 MIN	59.69 MIN
25 1/2 ±1/16	64.77 ±.16
27 3/4	70.49
26 3/4	67.95
24 7/16	62.07
36	91.44
1 1/2 MIN	3.81 MIN

30" WALL OVEN DESCRIPTION		
1	1 1/4" Dia Conduit Access Hole*	
2	5/8" Plywood Floor (Must Support 142 lbs)	
DIMENSIONS		
	in	cm
A	25	63.50
B	24 MIN	60.96 MIN
C	27 7/16 ±1/16	69.69 ±.16
D	23 1/2 MIN	59.69 MIN
E	28 3/16 ±1/16	71.60 ±.16
F	27 3/4	70.49
G	29 3/4	67.95
H	24 7/16	62.07
I	36	91.44
J	1 1/2 MIN	3.81 MIN

NOTES	
Do not block air intake slots along bottom of oven	
Gas or electric cooktops may be installed over ovens. See cooktop installation instructions for cutout size.	
Electrical connection for electric cooktop must be in adjacent accessible location. Cooktop and wall oven must be on separate 120/240 or 120/208 volt 60 Hz AC circuits.	

NOTES	
Z	Do not block air intake slots along bottom of oven
Y	Gas or electric cooktops may be installed over ovens. See cooktop installation instructions for cutout size.
W	Electrical connection for electric cooktop must be in adjacent accessible location. Cooktop and wall oven must be on separate 120/240 or 120/208 volt 60 Hz AC circuits.

** JENN-AIR COOKTOPS		27" WALL OVEN		30" WALL OVEN	
		in	cm	in	cm
K	4 Burner Gas	2 7/8 MIN	7.3 MIN	2 1/8 MIN	5.4 MIN
K	Electric	3 1/8 MIN	7.9 MIN	3 1/8 MIN	7.9 MIN

Hole must be cut as close to corner of cabinet as possible.  
See Dealer for approved cooktops.

## CAUTION

For European style cabinets (flush front) the required clearance for operation of the oven door is minimum spacing of 7/8" between the cutout and the door, hinge cutout and lower of the cabinet.

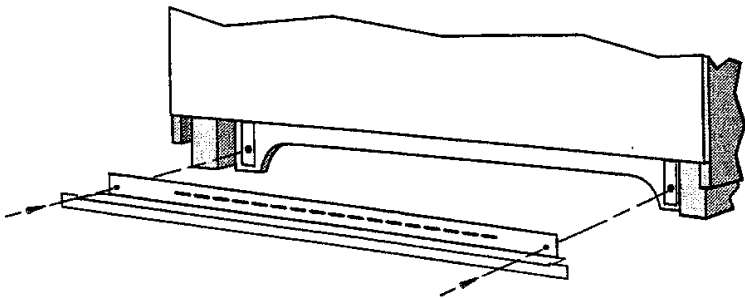
Some built-in cabinets may not be wide enough, due to their construction, to allow this installation.

1. Cut hole in cabinet to mount oven. Cutout in cabinet should be level and straight.

**Note:** There are no provisions to level the unit after it is installed. An oven that is not level could cause poor baking results.

2. Install plywood floor as shown above.
3. Attach unit to the cabinet with four No. 8x1/2" screws supplied with unit inside of envelope containing these instructions. Pre-drill holes in cabinet for attachment screws using 1/8" drill. Oven mounting holes are provided in side trim.
4. See instructions below for electrical hook-up.
5. See User's Manual for operating instructions.

## Installing Bottom Trim Piece



## Electrical Connections

Unit to be properly circuit protected and wired according to local electrical code and National Electrical Code.

It is advisable that the electrical wiring and hookup be accomplished by a competent electrician.

120/240 VAC or 120/208 VAC 60 Hz. See serial plate on front of unit for power requirements.

The neutral of this unit is grounded to the frame through the green or solid grounding wire. (The green and the white wires are twisted together at the termination of the conduit.) If local conditions do not permit grounding of the neutral, untwist the green wire and connect the green wire to ground in accordance with local codes. Connect the white neutral to the service neutral.

The chart below recommended the minimum circuit protection and wire size if the appliance is the only unit on the circuit.

K.W. RATING ON SERIAL PLATE	RECOMMENDED MINIMUM CIRCUIT PROTECTION IN AMPERS	WIRE SIZE (AWG)
0 - 4.8	20	12
4.9 - 6.9	30	10
7.0 - 9.9	40	8
10.0 - 11.9	50	8
12.0 - 14.9	60	6

## Service

Interrupt the source of electricity to the unit when attempting to repair or service the oven. Failure to do this could result in a dangerous or even fatal shock.

**IMPORTANT - SAVE FOR LOCAL ELECTRICAL INSPECTOR'S USE**